

# Super-Chil™ Water Chillers

**SC180 • SC340**  
**SC1000 • SC2000**



**Multiplex®**



Super-Chil™ water chillers provide high volume, chiller/water for any application.

- Pre-chill water to boost ice maker capacity or reduce cold plate ice consumption.
- Provide cold water for non-carbonated beverage service.
- Provide temperature-controlled water for bakery applications with mixing valve.
- Durable, easy to clean stainless steel cabinet.
- Environmentally friendly R-404A refrigerant.



ISO 9001:2000  
Quality System Certified

**High Volume Dispensing Solutions**

Remote Recirculation Soda Systems • Long Draw Beer Systems • Pre-Chillers

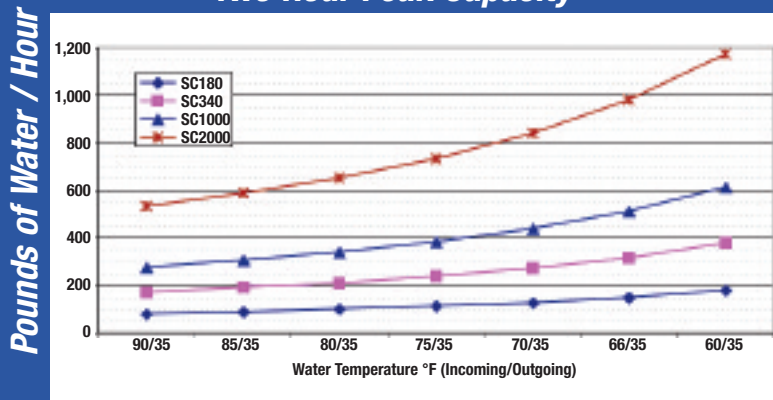
**Manitowoc**  
Foodservice Group

# Super-Chil™ Water Chillers SC180 • SC340 • SC1000 • SC2000

## Specifications

	SC180	SC340	SC1000	SC2000
<b>Standard Features</b>	Copper water cooling coil, stainless steel cabinet			
<b>Electrical Requirements</b>	120V/60Hz/1/20.3 230V/50Hz/1/9.0	120V/60Hz/1/21.5 230V/50Hz/1/10.7	208-230V/60/1/15 208/230V/50/1/16	208-230V/60Hz/3/10.4
<b>Compressor</b>	1/3 hp / .25 kw	1/2 hp / .37 kw	1.0 hp / 1.6 kw	2.2 hp / 1.64 kw
<b>Shipping Weights (Approximate)</b>	130 lbs / 59 kgs	180 lbs / 82 kgs	340 lbs / 154 kgs	395 lbs / 180 kgs
<b>Ice Bank Size (Nominal)</b>	28 lbs / 12.7 kgs	60 lbs / 18.14 kgs	140 lbs / 54.43 kgs	200 lbs / 68.04 kgs
<b>Condenser (Self-contained)</b>	Air Cooled	Air Cooled	Air or water cooled or remote	Air or Water Cooled, or Remote
<b>Evaporator Rating (20°F / -6.5°C)</b>	2,500 BTUH 490 kcal/hr	5,150 BTUH 1,159 kcal/hr	9,700 BTUH 2,340 kcal/hr	14,900 BTUH 3,130 kcal/hr
<b>Heat Rejection (Maximum)</b>	4,500 BTUH 885 kcal/hr	8,638 BTUH 1,949 kcal/hr	13,576 BTUH 3,685 kcal/hr	20,400 BTUH 4,285 kcal/hr
<b>Options</b>	Wall mount shelf, legs, stand, and condenser filter		Legs, stand, and casters	

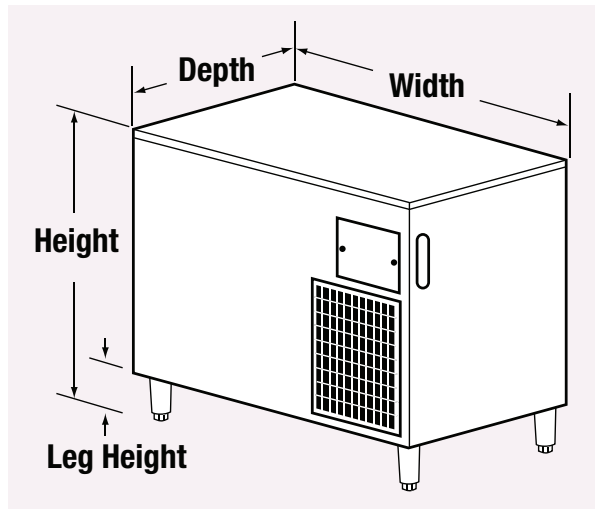
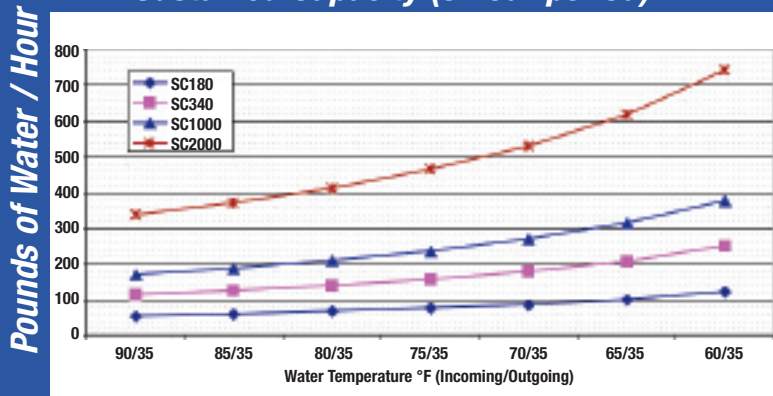
## Two Hour Peak Capacity



## Dimensions

Unit	Width	Depth	Height	Leg Height
<b>SC180</b>	27.75" 70.5 cm	16.25" 41.3 cm	18.50" 37.5 cm	4" 10.1 cm
<b>SC340</b>	36.25" 92.07 cm	19.50" 49.5 cm	21.50" 54.6 cm	6" 15.2 cm
<b>SC1000</b>	39.75" 101 cm	24.75" 62.9 cm	30.25" 76.8 cm	6" 15.2 cm
<b>SC2000</b>	42.25" 107.3 cm	28.25" 71.8 cm	32.00" 81.3 cm	6" 15.2 cm

## Sustained Capacity (8 hour period)



©2008 Multiplex 8005. Continuing product improvement may necessitate change of specifications without notice. 4028B



MANITOWOC BEVERAGE  
EQUIPMENT, INC.  
2100 Future Drive  
Sellersburg, IN 47172, USA  
Ph: 800-367-4233 • Fax: 812-246-7024  
Visit us online at [www.manitowocbeverage.com](http://www.manitowocbeverage.com)

