



Master Gas Convection Oven 450 Solid State Digital Control

Project _____
 Item _____
 Quantity _____
 CSI Section 11400
 Approved _____
 Date _____

Models

- MCO-GS-10
- MCO-GS-20
- MCO-GD-10
- MCO-GD-20



Model MCO-GS-10
Shown with optional casters

Standard Features

- Master 450 Solid State Digital control with 150°F (66°C) to 500° (260°C) temperature range and digital timer
- Cook'n'Hold
- Electric spark ignition, including automatic pilot system with 100% safety shut off
- 2-speed fan control (high & low) with .6 HP fan motor
- Total of 60,000 BTU (17.6 kW) loading per oven cavity
- Stainless steel front, sides, top, and legs
- 60/40 dependent door design with double pane thermal window in both doors and interior lighting
- Full Length, stainless steel positive door closure
- Patented "Safety Door System"
- Porcelain enameled oven interior with coved corners
- 24" cooking cavity height w/6 chrome plated oven racks on \ 13-position rack guides
- Double deck models available, suffix -20
- Deep depth models available prefix MCO-GD

Warranty

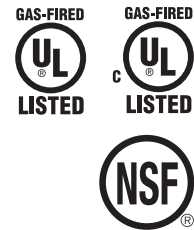
- 2 year limited part & 1 year labor warranty (USA & Canada only)
- 2 year limited part & labor warranty (USA Kindergarten to grade 12 schools only)
- 5 year limited door warranty, excluding window (USA & Canada only)

Options & Accessories

- Stainless steel solid door or doors (specify) – No Charge
- Extra oven racks
- Swivel casters, (4) w/front brakes
- 4 Low profile casters, w/front brakes (double ovens only)
- Stainless steel open base with rack guides and shelf
- Direct connect vent
- Back enclosure (stainless steel)
- 3/4" gas flex hose & quick disconnect
- 208 or 240 volt, single phase motor (please specify)
- 50 cycle components
- Maximum security package available contact factory for details

Specifications

- Garland Master Full-Size Standard Depth, prefix MCO-GS or Deep Depth, prefix MCO-GD, gas convection oven.
- Master 450 solid state digital control with 100 hour timer
- 60,000 BTU (17.6 kW)/cavity, .6 HP fan motor with two speed fan control. Electronic spark ignition. Natural gas.
- Porcelain enameled oven interior with coved corners, Six (6) oven racks and 13-position rack guides.
- All model interiors are 29" (736mm) W by 24" (610mm) H, depth is 24" (610mm) for standard depth and 28" (711mm) for deep depth. Stainless steel front, sides, top, and legs. 60/40 dependent door design with double pane thermal window in both doors and interior lighting.
- UL, CUL Gas-Fired and NSF Listed.



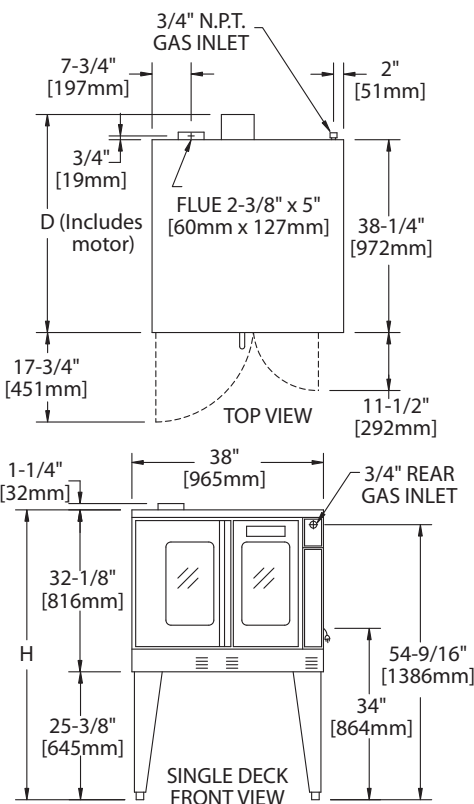
Master Gas Convection Oven 450 Solid State Digital Control

Garland Commercial Ranges Ltd.
 1177 Kamato Road,
 Mississauga, Ontario
 L4W 1X4 CANADA

General Inquires 1-905-624-0260
 USA Sales, Parts and Service 1-800-424-2411
 Canadian Sales 1-888-442-7526
 Canada or USA Parts/Service 1-800-427-6668

www.garland-group.com
 6825C
 10/20





INSTALLATION NOTE:
Combustible Wall Clearances:
 Sides: 1" (25mm) Back: 3" (76mm)
***Note:** Installations beside units with high heat sources it is recommended to leave 6" (152mm) on the right side of oven. Refer to the installation manual for more details.
Entry Clearance:
 Crated: 47" (1194mm)
 Uncrated: 32 1/2" (826mm)
Manifold Operating Pressure:
 Natural: 4.1"
 Note: Data applies only to North America

PLEASE NOTE:
 Standard electrical specifications include motor requirements. (120V units) 115V, .6 HP, 2-speed motor; 1430 and 1670 rpm, 60Hz. (240V units) 200-240V, .6 HP, 2-speed motor; 1430 and 1670 rpm, 60 Hz. A 6 ft. line cord is provided for each 120V deck with a (NEMA #5-15P) plug. Garland recommends a separate 15 AMP circuit for each 120V unit Gas Input rating shown above are for installations up to 2,000 ft. (610)m above sea level. Specify altitudes over 2,000 ft.

SINGLE-DECK MODELS	INT. DIMENSIONS: In mm			EXT. DIMENSIONS: In mm			SHIP WT.	SHIP DIM.
	W	H	D	W	H *	D	lbs/kg	cubic Ft.
Standard Depth**	29 (736)	24 (610)	24 (610)	38 (965)	57-1/2 (1461)	41-1/4(1048)	515/230	64
Deep Depth	29 (736)	24 (610)	28 (711)	38 (965)	57-1/2 (1461)	44-1/2(1130)	545/245	64

DOUBLE-DECK MODELS	INT. DIMENSIONS: In mm			EXT. DIMENSIONS In mm			SHIP WT.	SHIP DIM.
	W	H	D	W	H *	D	2@lbs/kg	Cubic Ft.
Standard Depth**	29 (736)	24 (610)	24 (610)	38 (965)	70-1/2 (1791)	41-1/4(1048)	1030/465	128
Deep Depth	29 (736)	24 (610)	28 (711)	38 (965)	70-1/2 (1791)	44-1/2(1130)	1090/490	128

*Height with or without standard casters. Height with low profile casters (double deck) is 68-1/2" (1740mm).

MODELS	INPUT RATINGS, NAT & PRO			ELECTRICAL SPECIFICATIONS	
	BTU/hr	kW Equiv.	Gas inlet	120V/1Ph.	240V/1Ph.
Single Deck	60,000	17.6	(1)@3/4" NPT	(1)@9.8A	(1)@5.2A
Double Deck	120,000	35.2	(1)@1" NPT	(2)@9.8A	(2)@5.2A

Welbilt reserves the right to make changes to the design or specifications without prior notice.