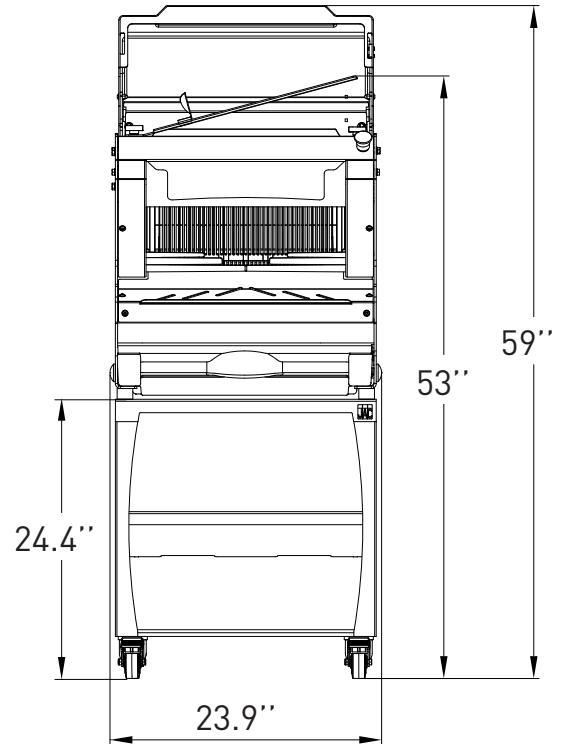
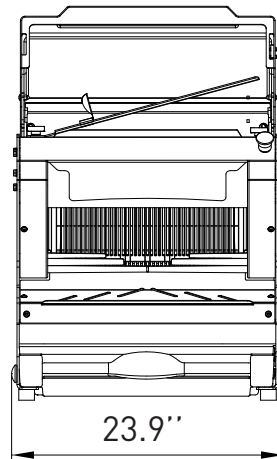
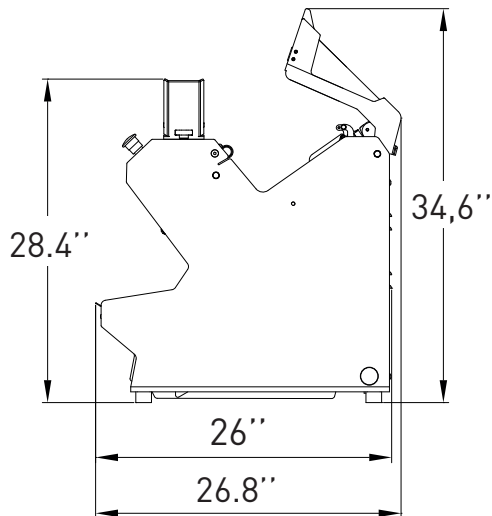




Automatic frame slicer

PICOMATIC ONE

- ✓ Small footprint
- ✓ Can be used on a counter-top or on a base
- ✓ Automatic slicing cycle, simple to use and optimizes time management
- ✓ Ergonomic front loading design
- ✓ Intelligent Slicing Concept
- ✓ 5 years parts / 1 year labor warranty





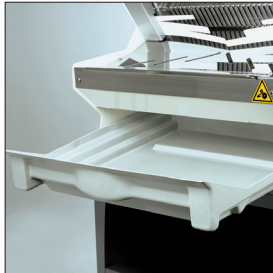
Intelligent Slicing Concept (JAC patent)

Continuous automatic control system that slices loaves according to their consistency. This allows open textured, crusty and dense breads to be sliced with equal efficiency.



Front safety cover

If opened during the cutting cycle, the machine stops.



Removable crumb collector

Made of light-weight material, accessible from the front. 1,85 gallons capacity.



Stand with castors

Provides storage space and mobility.



JAC FLAPS

Holds the loaf together for easier handling.

FEATURES		PICOMATIC ONE 450
Max. loaf dimensions in in (L x W x H)		17.3" x 11.8" x 7"
Rear safety cover		•
Motor power in kW		0.49
Type of motor		1ph/120V/60Hz/7.3A
Net weight in lbs		231

CHOICES	
Slice thickness options	from 3/8" to 5/8"

OPTIONS	
Stand with castors	•
Special slice thickness (more than 5/8 ")	•
Front safety covers	•