



Sheeter/Moulders, Production Tables, & Conveyors



Whether you are looking to do sheeting, bread moulding, or dough cutting, the LVO sheeter line has the machine you need. With a compact simple design, even the most inexperienced employees can sheet dough in seconds. With different attachments available for moulding or cutting, making bread loaves, donuts, croissants, turnovers, and other pastries becomes automatic and uniform.

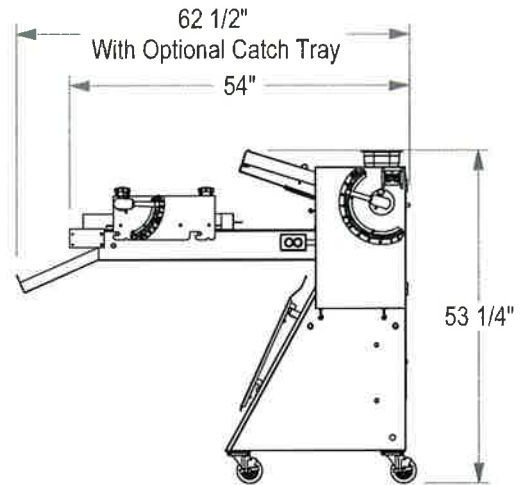
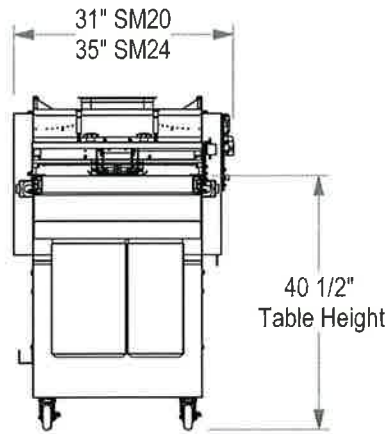


Intertek

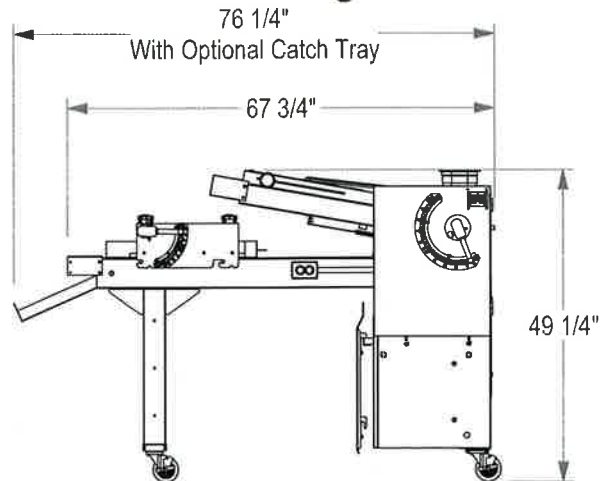
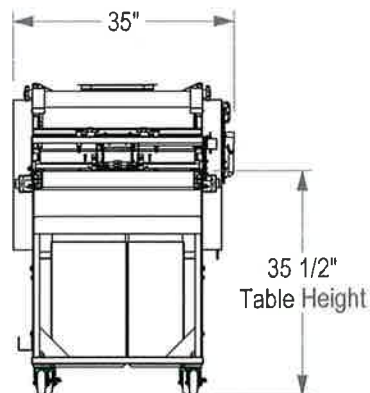


Intertek

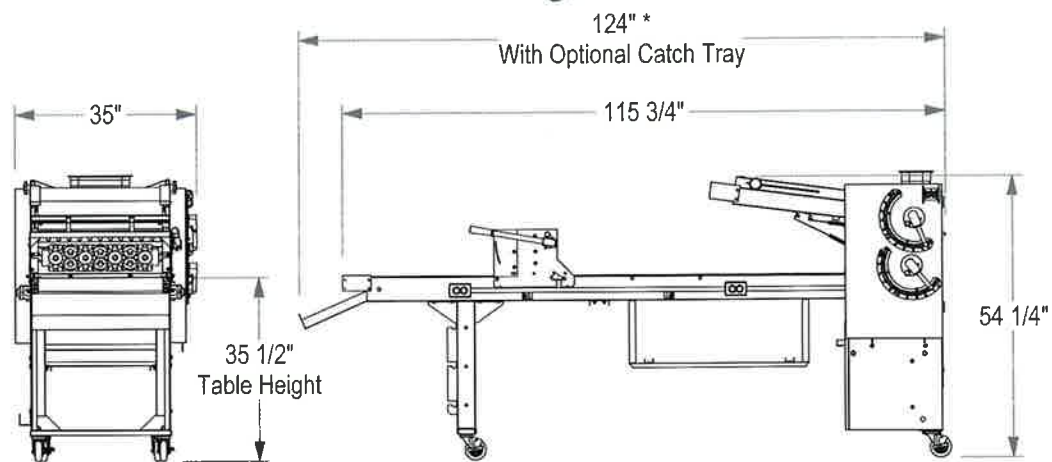
SM20/SM24 Sheeter/Moulder



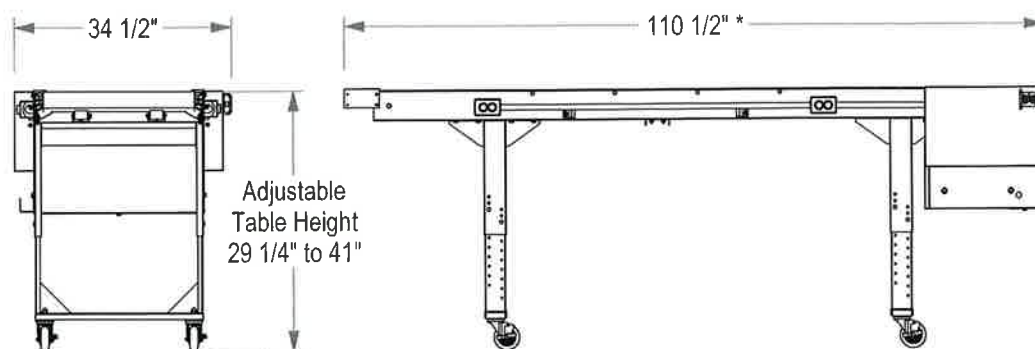
SM124 Sheeter/Moulder



SM224 Production Table



CT24 Conveyor Table



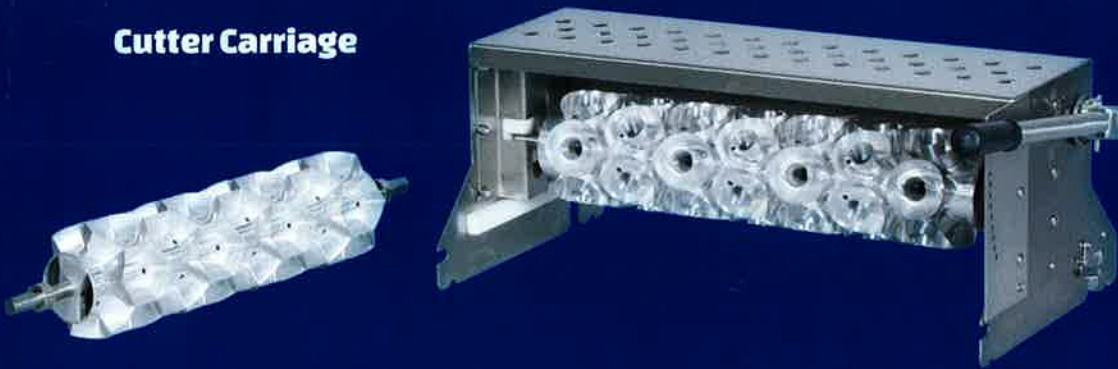
*110 1/2" Dimension for 9ft Table

Available Carriages:

Moulding Carriage



Cutter Carriage



| Model: | SM20 | SM24 | SM124 | SM224 | CT24 |
|---|-----------------|------|-------|-----------------------|-----------------|
| Machine Type: | Sheeter/Moulder | | | Production Table | Conveyor Table |
| Conveyor Belt Width: (Inches) | 20 | 24 | | | |
| Table Length: (Feet) | 4 | | 5 | 6, 9, 12, 15, or 18 | 9,12,15, or 18 |
| Number of Dough Roller Sets: (Two Rollers per Set) | 1 | | | 2 | 0 |
| Motor Size: (Hp) | ¾ | | | 1 | ¾ |
| Available Carriages: | Moulding | | | Moulding, Cutter | Cutter |
| Infeed Type: | Manual | | Power | | N/A |
| ETL Electrical Listed: (115V - US & Canada) | Yes | | | | |
| ETL Sanitation Listed: | Yes | | | Yes - 6ft & 9ft Table | Yes - 9ft Table |

All Models Available in Either Right Hand or Left Hand Control

Because of continuous improvements, specifications may change without notice. Contact manufacturer for current information.



LVO Manufacturing, Inc.

PO Box 188 • 808 North 2nd Avenue East • Rock Rapids, Iowa 51246
(800) 346-5749 • www.lvomfg.com