



Continuous cut slicers

FULL

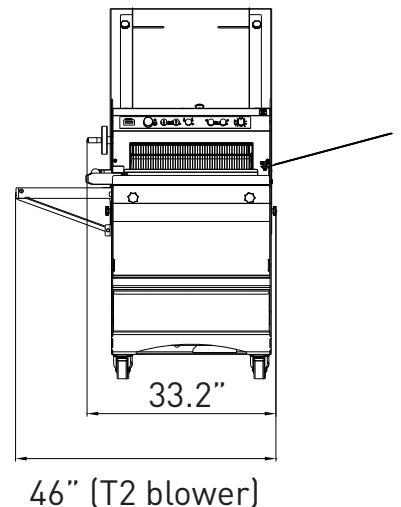
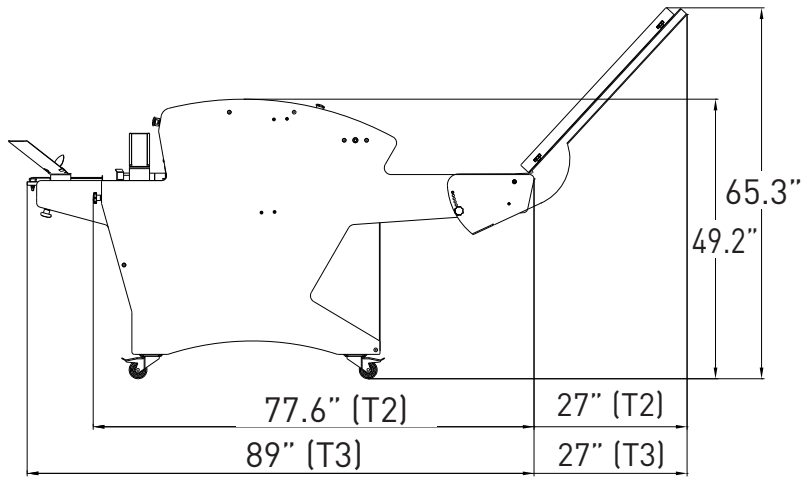
- ✓ Continuous slicing of all types of bread
- ✓ High speed, thanks to motorized in-feed belts
- ✓ Robust
- ✓ Adjustable speed
- ✓ 5 years parts / 1 year labor warranty



Optional



Up to 1000 loaves an hour



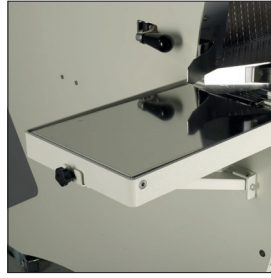
Traditionally Innovative

www.jac-machines.com

office@jac-machines.com



Front control panel
 Motorized adjustment of the upper belt height (height of loaves). Next to the front panel controls, a timer accurately records your working time.



Full 520 T2
Foldable bag blower
 Saves packaging time.



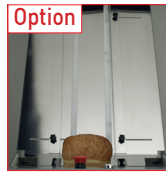
Rear loading belt
 Provides uniform continuous cutting, thanks to adjustable side guides.



Full 520 T3
Motorised outfeed belt
 Fitted with adjustable guides to ensure that the bread is held together after cutting.



Variable speed drive
 Allows the cutting speed to be adjusted to suit the type of bread.



Option
Loading ramp
 Fitted with side guides, increases loading capacity.



Two crumb collectors
 8,7 gallons capacity each.

FEATURES	FULL 520 T2	FULL 520 T3
Max. loaf dimensions in in (W x H)	22" x 6.3"	22" x 6.3"
Foldable bag blower	•	
Motorised outfeed belt		•
Motor power in kW	1.1	1.1
Type of motor	3ph/208V/60Hz/4.8A	3ph/208V/60Hz/4.8A
Net weight in lbs	805	849

CHOICES	FULL 520 T2	FULL 520 T3
Slice thickness options	from 3/8th to 1 1/4"	from 3/8th to 1 1/4"

OPTIONS	FULL 520 T2	FULL 520 T3
Loading ramp	•	•