



AMERICAN EAGLE[®]
FOOD MACHINERY, INC.

AE-DS45B / 52B
*Countertop
Dough Sheeters*

773.376.0800 (P) • 773.376.2010 (F) • 3131 S. Canal St. Chicago, IL 60616



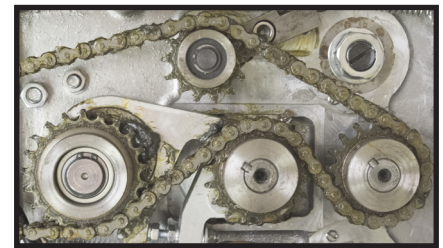
AE-DS45B SHOWN

Perfect For

- Croissants
- Pastry Puffs
- Danish Rolls
- Pie Crusts
- Fondant
- Pizza Dough
- Cookie Dough, and More!

Quality Design

- Powerful 1/2 HP Motor
- Reversible Sheet With Sync Drive (Output Conveyor Is Faster Than Input)
- Heavy Duty 100% Gear And Chain Driven Transmission
- Frames and Panels Made From Stainless Steel And Polished Aluminum
- Sanitary Polyurethane Conveyor Belts, Durable Stainless Steel Rollers
- Locking Clutch Adjustment Handle For Both Fast and Precise Dough Thickness Adjustments, No Need For Separate Lock, Just Set and Go!
- Lead-Free Painted White Finish Tables Resist Rust and Corrosion



***Permanently Lubricated
Steel Gears And Chain For
Years Of Worry Free Use!***



Space Saving Fold Up Tables!

Standard Features

- Independent On/Off Switch And Emergency Stop
- OSHA Compliant Safety Guard With Auto-Shutoff
- Convenient Top Flour Tray And Front Mounted Controls
- Thermal Overload Protection Helps Protect Motor
- Heavy Duty 7 Foot 3 Wire Power Cable
- 1 Year Limited Warranty*

Proud Member of:
NAFEM
North American Association of
Food Equipment Manufacturers

Quality • Value • Reliability



AMERICAN EAGLE[®]
FOOD MACHINERY, INC.

AE-DS45B / 52B
Countertop
Dough Sheeters

sales@ameagle.biz • www.americaneaglemachine.com

Our Dough Sheeters Help Save Time And Labor Costs! Easy To Use Controls Require Minimal Training. Get Perfect, Consistent, Wrinkle Free Sheets Ready For Cutting Or Topping Every Time!

Specifications

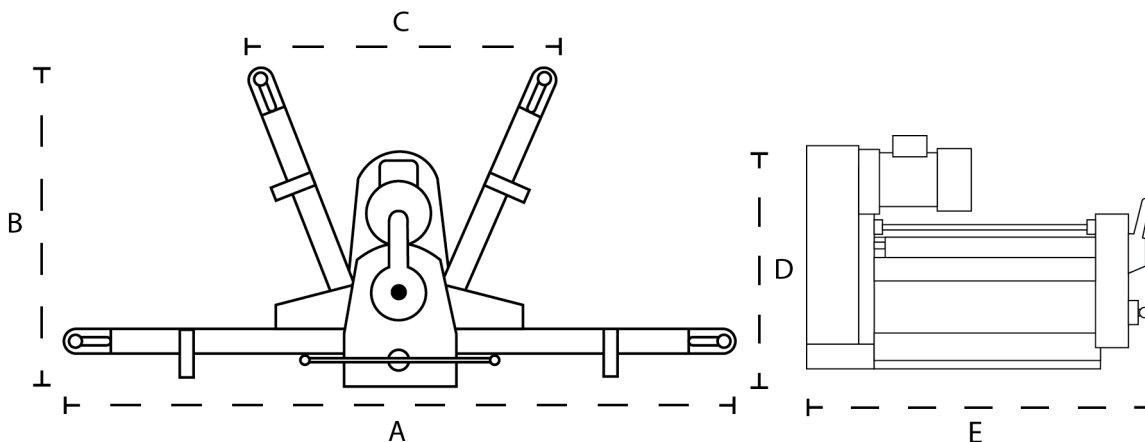
Model	Motor	Voltage V/HZ/PH	Amps	Main Roller Size	Adjustable Thickness	Max Dough Batch**	Working Surface	Safety Guard	Foot Pedals
AE-DS45B	1/2 HP	220/60/1	5	3.5" Dia x 17.7" L 8.9cm x 45cm	.04" to 1.18" 1mm to 30mm	8.82 lbs 4 kg	16.9" x 69" 43cm x 175cm	Yes	No
AE-DS52B	1/2 HP	220/60/1	5	3.5" Dia x 20.5" L 8.9cm x 52cm	.04" to 1.57" 1mm to 40mm	11 lbs 5kg	19.5" x 81" 50cm x 206cm	Yes	No

AE-DS45B Measurements

Dimension	US	Metric
A	69.7 in	177 cm
B	27.5 in	69.9 cm
C	25.9 in	65.8 cm
D	24.4 in	62 cm
E	32.3 in	82 cm

AE-DS52B Measurements

Dimension	US	Metric
A	81.9 in	208 cm
B	33.3 in	84.6 cm
C	28.4 in	72 cm
D	24.4 in	62 cm
E	35.3 in	89.7 cm



Dimensions and Shipping Information

Model	Overall Dimensions	Shipping Dimensions***	Net Weight	Ship Weight	Freight Class
AE-DS45B	69.7" L x 32.3" W x 24.4" H (177cm x 82cm x 62cm)	48" L x 40" W x 45" H (122cm x 102cm x 114cm)	261 lbs (118 kg)	305 lbs (138 kg)	85
AE-DS52B	81.9" L x 35.3" W x 24.4" H (208cm x 90cm x 62cm)	48" L x 40" W x 45" H (122cm x 102cm x 114cm)	274 lbs (124 kg)	321 lbs (146 kg)	85

*Warranty must be registered. Improper electrical connection voids warranty. Ensure supplied power matches specification on nameplate

**Weights are approximate and assume AR of 60% for typical bread dough, adjust load accordingly, overloading voids warranty

***Crates are affixed to a skid (pallet). The weight and dimensions of this skid are included above and may vary from shipment to shipment.



Quality • Value • Reliability