



Deli Merchandiser TEM - 150 Black

The TORREY Deli Merchandiser was designed with the maximum display capability possible for your product. Featuring a double tempered curved glass that allows your product to be visible from every angle, adjustable stainless steel shelves with three exhibition levels, double sliding dismountable doors that allow easy access to the interior and a stainless steel inside bottom for easy cleaning. The TORREY Deli Merchandiser allows easy front access to the condensing unit for cleaning or maintenance.



Capacity and Dimensions

MODEL	TEM-100	TEM-150	TEM-200
Capacity (cubic feet)	14	21	28
Capacity (liters)	360	518.1	680
Compressor	1/4 HP	1/4 HP	1/3 HP
Height X Width X Depth	(46.2" x 40" x 34.5")	(46.2" x 56.6" x 34.5")	(46.2" x 74.5" x 34.5")

Product Features

- *Double tempered curved glass
- *Adjustable shelves
- *3 exhibition levels
- *Stainless steel bottom for easy cleaning
- *Front access to the condensing unit for easy maintenance

Low energy consumption

The TORREY Deli Merchandiser is manufacture with high level insulation that ensures the lowest energy consumption.

Hygiene and excellent presentation

Stainless steel top and shelves, provide a long lasting sanitary appearance

Environmentally friendly

The refrigerant used in the TORREY Deli Merchandiser is CFC free and doesn't damage the ozone layer.

Automatic defrost cycle

All TORREY Deli Merchandisers include a technological advance controller that ensures maximum performance of your equipment. The controller automatically starts the defrost cycle when needed avoiding the need to unplug the unit.

Maximum exhibition display

The wide view double tempered glass and the stainless steel shelving with three adjustment levels, set the perfect combination to ensure that your product is displayed the best way possible.



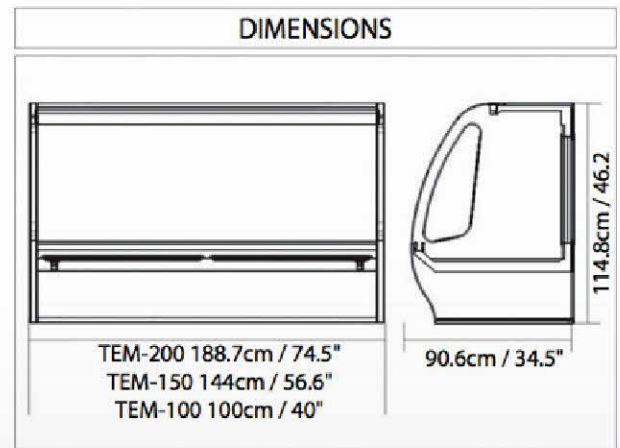
Glass rear window

The TORREY Deli Merchandiser includes a rear glass window that allows easy access to the interior.



Wide stainless steel top

The wide stainless steel top allows provide sufficient workable space to set on top a TORREY Electronic Scale or Deli Slicer.



120/220V 50/60Hz

*Note: TEM 100 has a swing door, not 2 sliding doors.

Available in 3 colors:



Black



White



Stainless Steel

