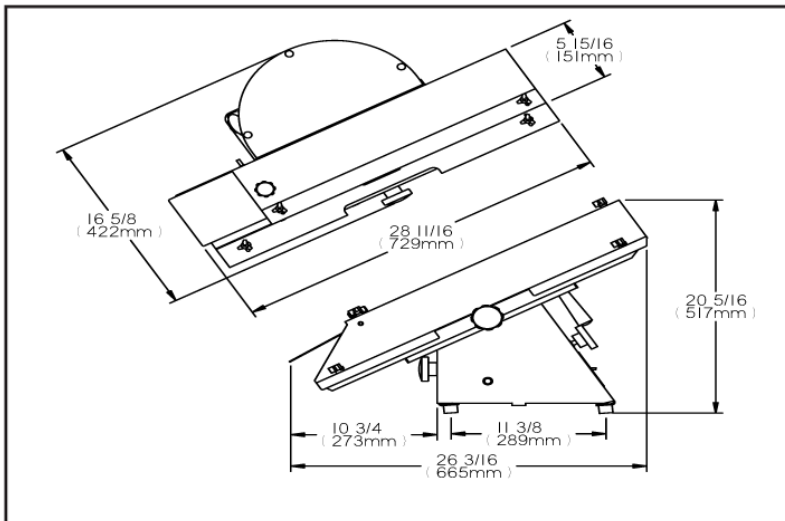


## MODEL 270C French Bread/Bun & Bagel Slicer



### Complete Cut:

**Maximum:** 5-1/4" (13.33 cm)

**From Bottom:** 1/2" to 1-1/2"  
(1.27 - 38.1 cm)

### Adjustable for hinged cut on product up to:

6" wide and 3" thick  
(15.24 cm wide and 76.2 cm)

### Machine Dimensions:

**Width:** 16 5/8" (422 mm) **Length:** 26 3/16" (665 mm) **Height:** 20 5/16" (517 mm)

**Shipping Wt.:** 87 lbs (39.46 kg.) **Net Wt.:** 60 lbs. (27.22 kg.)

**Shipping Class:** 85 **FOB:** 54880

**Shipping Dimensions:** 36 wide x 21 deep" x 30" (91.44 cm x 53.34 cm x 76.2 cm)

**Minimum counter space required:** 13" x 14" (33.02 x 35.56 cm) (*approximate*)

### Electrical requirements:

**Standard: (Model M-270C)** 115v / 60hz / 1-phase, 1/2hp Motor, 1725 rpm, 8.7 amps  
On/Off Switch with built-in Overload Protection.

**Optional: (Model M-270CE)** 220-240v / 50hz / 1-phase, 1/2 hp Motor, 1425 rpm, 4.8 amps

**Standard Finish: White Powder Coated Finish** (*non-food contact*)

**Stainless Steel** (*food contact*)

**Options: Extra Cutting Blades** (P/N A4-037-0003)