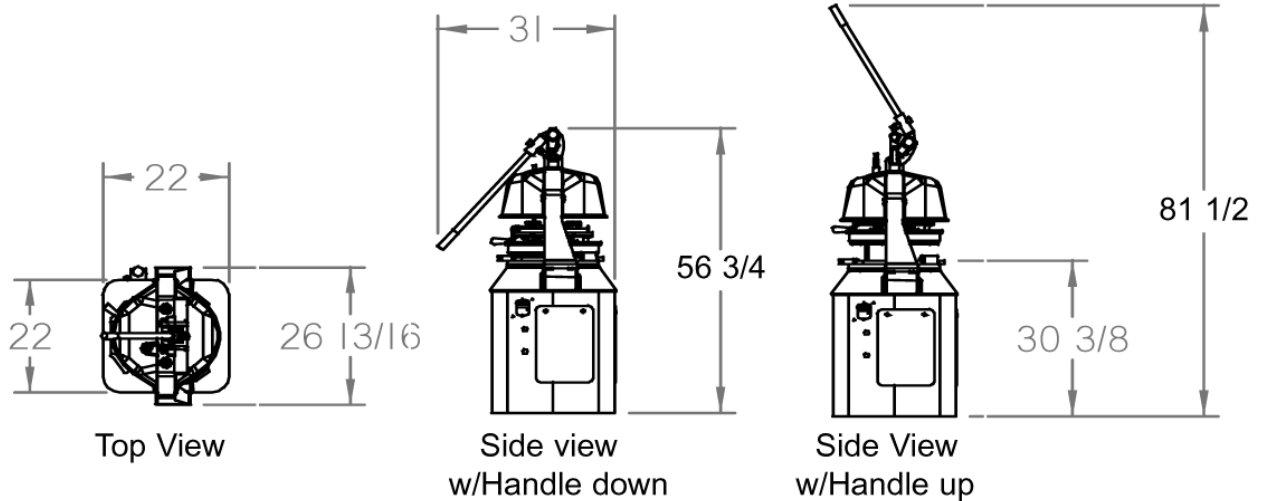


MODEL JN

Semi-Auto Dough Divider/Rounder



Machine Dimensions:

Width: 26 13/16" (68.07 cm) **Depth:** 22" (55.88 cm) **Height:** (incl. handle) 81 1/2" (207.6 cm)

Shipping Wt.: 490 lbs.(220.5 kg) **Net Wt.:** 449 lbs (202 kg)

Shipping Class: 85 **FOB:** Superior, WI 54880

Shipping Dimensions: 28-1/4" x 25-1/2" x 66" (71.75 cm x 64.77 cm x 167.64 cm)

Standard:

36-Part Head Assembly (P/N C4-436-0053), (2) 36-Part Dough Pallets, White Powder Coated Finish, 2-year warranty, Training Video, Manual
208v / 60hz / 3-phase, 3/4 hp motor, 10 amps required.

Options:

120 or 240v / 60 hz / 1-phase, 1-hp or 460v / 60 hz / 3-phase **(50 hz also available)**

18-Part Head Assembly (P/N C4-436-0051) Includes two same division Dough Pallets.

9-Part Head Assembly (P/N C4-436-0049) Includes two same division Dough Pallets.

6-Part head Assembly (P/N C4-436-0055) Includes two same division Dough Pallets.