

Gravity Feed Bread Slicer

Model 797

Slicer Specifications:

Motor:

1/2H.P., single phase, 60Hz, 115 VAC, 7 AMPS
Special electrics also available

Capacities:

Length: Loaves up to 16" (406mm) or 21" (533mm)
Height: 2 1/4" (57mm) to 5" (127mm)

Finish:

Stainless steel contact components and food-safe materials throughout

Slice Spacing:

Standard: 3/8" (10 mm), 7/16" (11 mm),
1/2" (13 mm), 5/8" (16 mm)
Also available at extra cost: 9/16" (14 mm), 11/16"
(17mm), 3/4" (19 mm), 13/16" (21mm), 7/8" (22 mm),
or 1" (25 mm)

Optional:

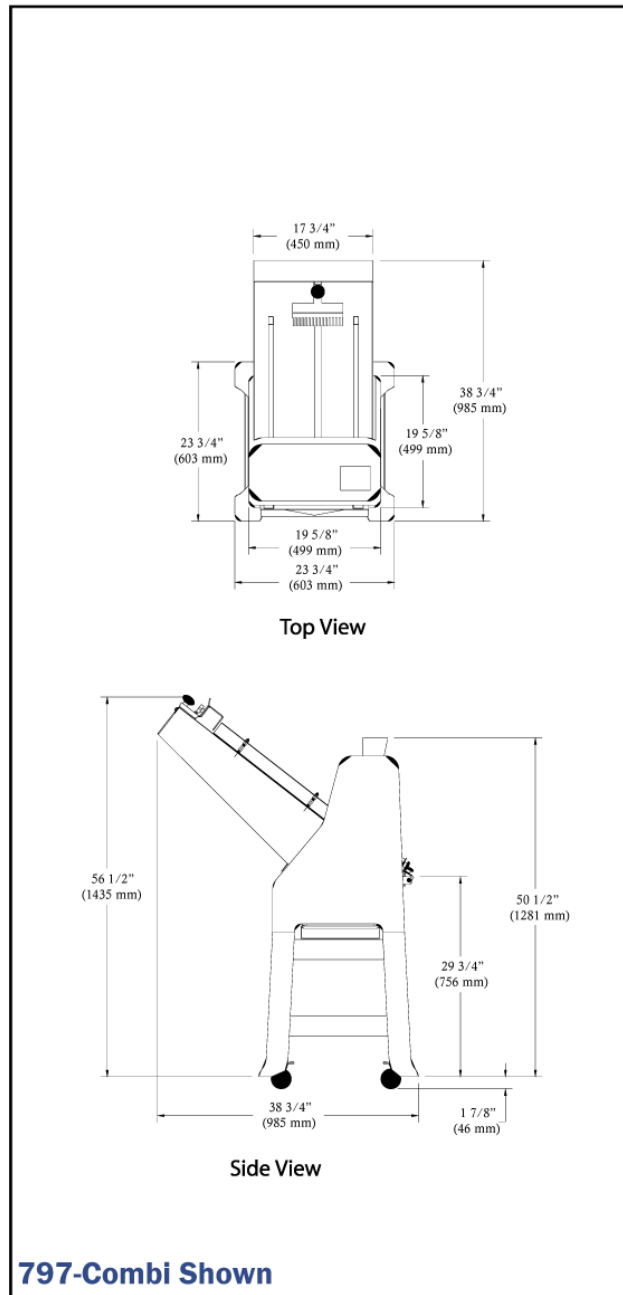
Swing-Away Bagger

A hinged mounting attaches the Model 1179S Swing Away Bagger to 16" (406mm) Oliver 797 Gravity Feed Bread Slicers. The bagger swings to the side, giving access to the slicer for cleaning, maintenance or blade change. No separate mounting tables are required, saving valuable floor space. The bagger is 13" (330mm) wide, 41" (1,041mm) long and has a shipping weight of 50 pounds (23kg).

Dimensions:

	Floor Model 48" chute (1,219mm)	Floor Model 32" chute (813mm)	Counter Top Model 32" chute (813mm)
Shipping Weight: 21" (533mm)	485lbs. (218kg)	Not Available	Not Available
16" (406mm)	375lbs. (170kg)	300lbs. (135kg)	265lbs. (119kg)
Height:	67" (1,702mm)	56 1/2" (1,435mm)	35 1/2" (902mm)
Width 16" (406mm)	23 3/4" (603mm)	23 3/4" (603mm)	19 5/8" (499mm)
Width 21" (533mm)	29 1/4" (743mm)	Not Available	Not Available
Depth:	49" (1,245mm)	37 1/2" (953mm)	35 1/2" (902mm)

Above specifications subject to change without notice.



797-Combi Shown

The information contained herein is correct to the best of our knowledge. The recommendations or suggestions are made without guarantee or representation as to results. Freedom from any patent owned by Oliver Products Company is not to be inferred.
Printed in U.S.A. ® Trademark of Oliver Products Company