

Mirror, Mirror On The Wall...



Model FL10

Specifications

Wash Cap: 10 pans, utensils or 140 quart bowl

Pump: 7.5 H.P. - 208, 230, 480V, 60 cycle, 1 phase or 3 phase - recirculates 140 G.P.M.

50 - 60 PSI at the nozzles

Timers: Wash, delay, rinse - all adjustable

Electrical Components: U.L. approved

Wash Tank: 30 gal. cap. - electric, steam or gas heated

Rinse Tank: Stainless steel with 9 KW electric booster heater to boost 120° water to 180°-195° sanitizing rinse water

Construction: 12 and 14 GA stainless steel

Accessory equipment

Power venting: 100 CFM

Tjernlund fan or 700 CFM

American Fan

Racks: Bun pan, cake pan, or utensil basket

Automatic Fill

Model FL14

Specifications

Wash Cap: 14 pans, utensils or 140 quart bowl

Pump: 10 H.P. - 208, 230, 480V, 60 cycle, 1 phase or 3 phase - recirculates 180 G.P.M.

50 - 60 PSI at the nozzles

Timers: Wash, delay, rinse - all adjustable

Electrical Components: U.L. approved

Wash Tank: 40 gal. cap. - electric, steam or gas heated

Rinse Tank: Stainless steel with 9 KW electric booster heater to boost 120° water to 180°-195° sanitizing rinse water

Construction: 12 and 14 GA stainless steel

Accessory equipment

Power venting: 100 CFM

Tjernlund fan or 700 CFM

American Fan

Racks: Bun pan, cake pan, or utensil basket

Automatic Fill

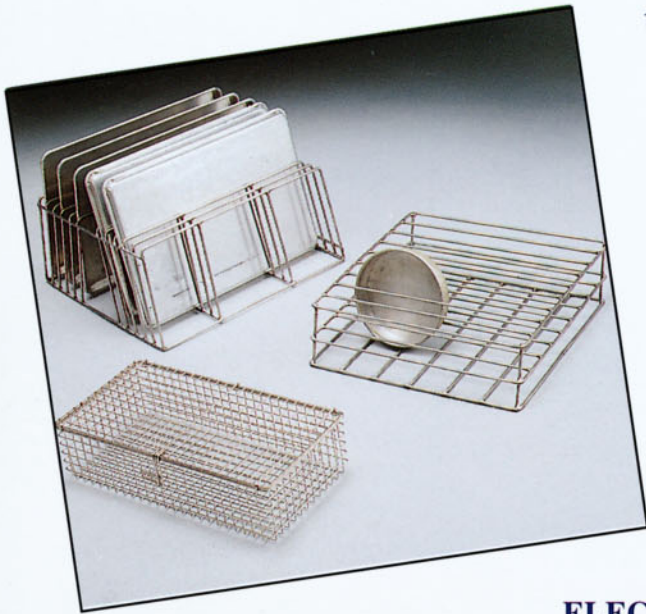
High-Pressure For The Cleanest Wash Possible



LVO MANUFACTURING INC.

P.O. Box 188, 808 N 2nd Avenue E, Rock Rapids Iowa 51246

Phone: 712/472-3734 or 712/472-3735, Toll Free 1-800-346-5749, Fax 712-472-2203



UTILITY RACKS

These stainless steel utility racks are sturdy and reliable, and are built to withstand the day to day operations.

Available racks:

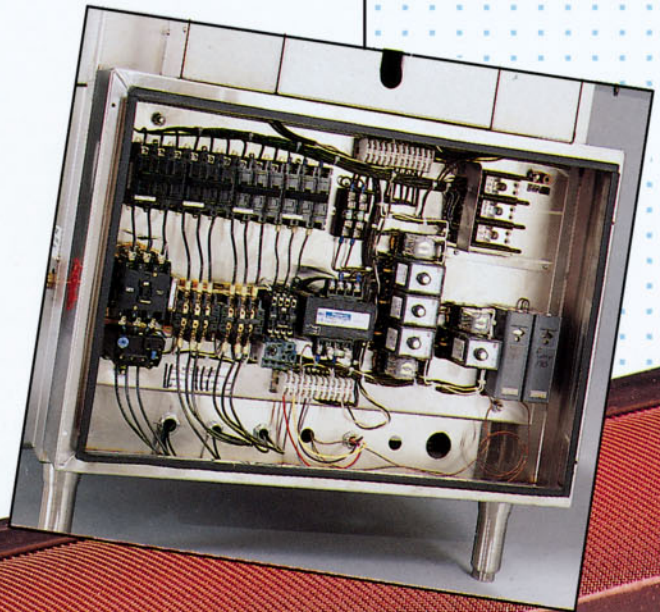
- Bun/Sheet Pan Rack
- Cake Pan Rack
- Utensil Basket w/hold down lid

Special racks can be built upon customer request.

ELECTRICAL CONTROL PANEL

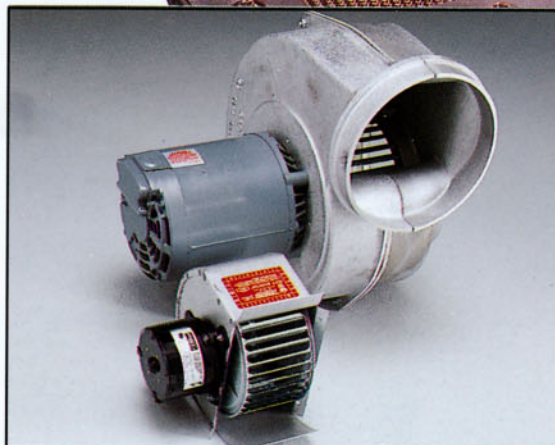
Our stainless steel, UL approved control panel is dependable and accessible. Using breakers and a limited number of fuses allows nearly trouble-free operation.

Available with 208, 220, 480V-3 phase or single phase.



INFRARED BURNERS

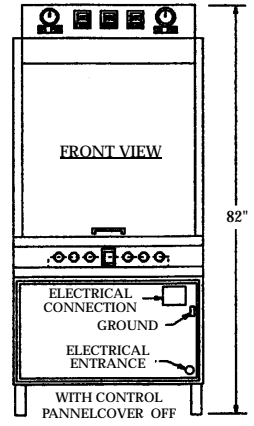
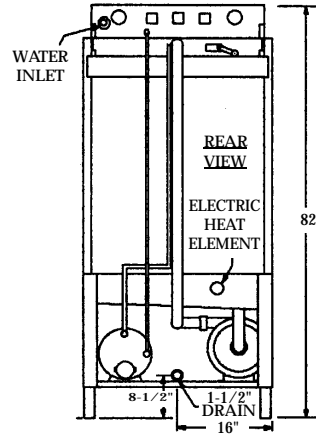
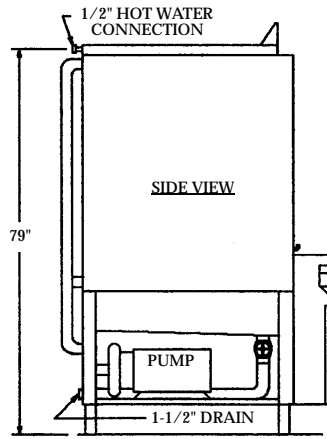
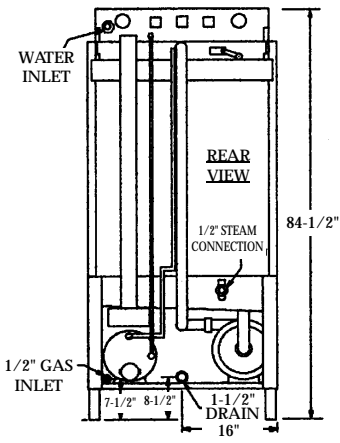
- Quieter
- Better than 80% efficient
- Cleaner burning
- No burner tubing to clean or maintain in the wash tank
- Repairs & maintenance of burners easier and more economical



POWER VENTING

Remove steam from your washer quickly and efficiently before it enters your work area. With the 100 CFM Tjernlund Fan or the 700 CFM American Fan, it is sure to work for you.

**We Service
What We Sell !**



GAS
NOTE: HEIGHT WITH DOOR OPEN - 106"
DOOR OPEN WIDTH - 28-3/4"
HEIGHT - 30-1/2"

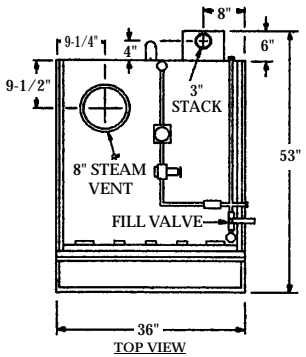
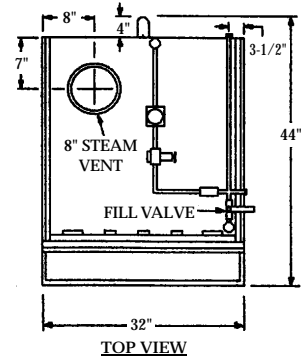
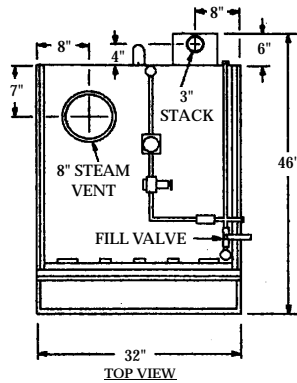
Model FL10

Total Amperage

	208V	230V	480V
Electric	71.0	65.2	33.6
Gas or Steam	46.0	42.6	22.3

Gas Rating 36,000 BTU
Rinse Tank Cap. - 8-1/2 gal.
60 sec. rinse @ 20 psi
6.5 gal/cycle

ELECTRIC
NOTE: HEIGHT WITH DOOR OPEN - 103-1/2"
DOOR OPEN WIDTH - 28-3/4"
HEIGHT - 30-1/2"

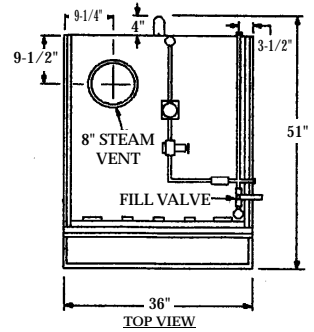


Model FL14

Total Amperage

	208V	230V	480V
Electric	79.0	72.2	37.1
Gas or Steam	54.0	49.6	25.8

Gas Rating 48,000 BTU
Rinse Tank Cap. - 9-1/2 gal.
60 sec. rinse @ 20 psi
6.5 gal/cycle



GAS
NOTE: HEIGHT WITH DOOR OPEN - 106"
DOOR OPEN WIDTH - 32"
HEIGHT - 30"

ELECTRIC
NOTE: HEIGHT WITH DOOR OPEN - 106"
DOOR OPEN WIDTH - 32"
HEIGHT - 30"

