

Slicer Specifications

Motor: 1/2 H.P., single phase, 60Hz, 115 VAC, 7 AMPS; 230 VAC, 3.5 AMPS
Special electrics also available.

Capacities: 16" (406 mm) long X 5 1/2" (140 mm) wide X 5 1/2" (140 mm) high
(Lower and wider products may also be sliced if care is exercised when loading product.)

Finish: Stainless steel construction inside and out.

Slicing Spacing (Thickness): Standard: 3/8" (10 mm), 7/16" (11 mm), 1/2" (13 mm).

Available (at extra cost): 9/16" (14 mm), 5/8" (16 mm), 3/4" (19 mm), 7/8" (22mm) or 1" (25 mm)

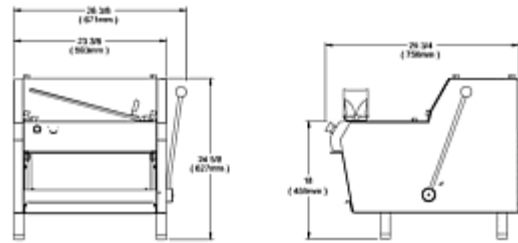
Shipping Weight" 300 lbs (135kg)

Net Weight: 250lbs. (114 kg)

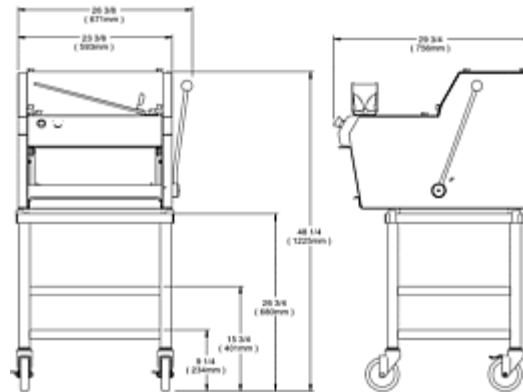
NOTE: Above specifications subject to change without notice.

Oliver® Products Company

Slicer



Slicer with 26 1/2" Stand



Slicer with 33" Stand

