

# CPN - Series

## Prism Candy Cases Non-Climate Controlled



### Features & Finishes

- Anodized Aluminum Frame
- Tempered Glass Front, Ends & Top
- Aluminum Framed Sliding Mirror Doors
- Tempered Glass Shelves (1-8", 1-10")
- 6"H Black Kick
- Standard White HPL Exterior Finish
- White HPL Deck
- Top Light with Lamp and Shield
- Cord, Plug and Switch
- "UL" Listed



P. O. BOX 470  
Union, MO 63084

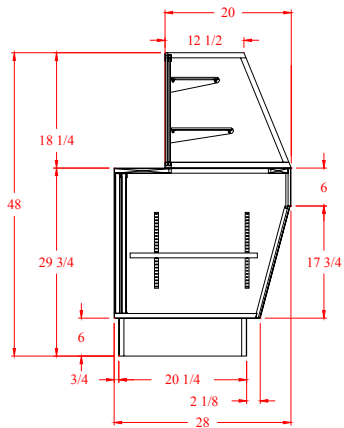
Phone: 1.800.325.0775  
Fax: 1.636.583.4067

Email: [sales@spartanshowcase.com](mailto:sales@spartanshowcase.com)

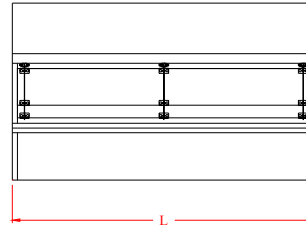
[www.spartanshowcase.com](http://www.spartanshowcase.com)

# CPN - Series

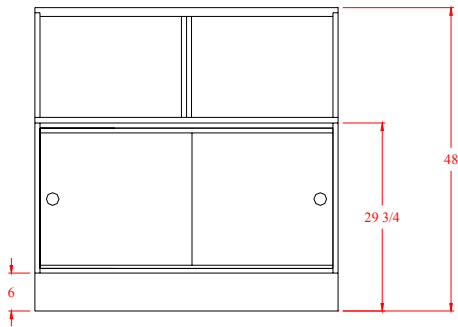
## Prism Candy Cases Non-Climate Controlled



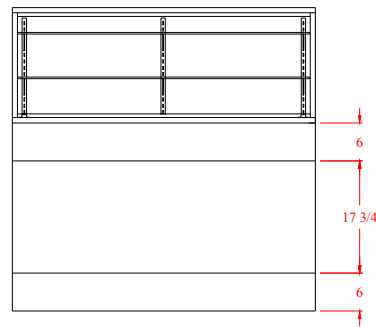
End View



Top View



Rear View



Front View

Model No.	Dimensions: L X W X H	Rows of Shelves	Est. Crated Weight	Case Options:
CPR-4	48" x 28" x 48"	2	480 lbs.	1. Brasstone Finish 2. Mirror Ends
CPR-5	60" x 28" x 48"	2	550 lbs.	
CPR-6	70" x 28" x 48"	2	620 lbs.	



P. O. BOX 470  
Union, MO 63084

Phone: 1.800.325.0775  
Fax: 1.636.583.4067

Email: [sales@spartanshowcase.com](mailto:sales@spartanshowcase.com)

[www.spartanshowcase.com](http://www.spartanshowcase.com)